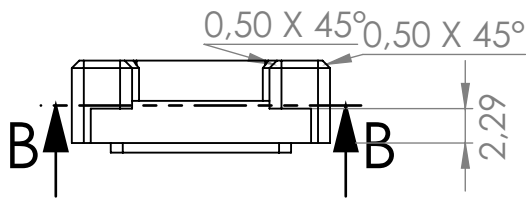
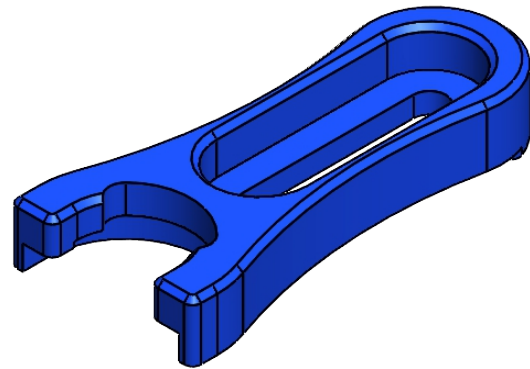



SECTION A-A



SECTION B-B



All the measurements are in millimeters unless otherwise stated

	Manufacturer Number	QO-MS-OMC
	Description	Optical Table Fixing Clamps
	Version	1.0