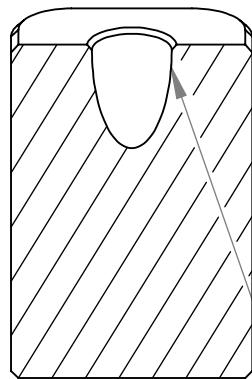
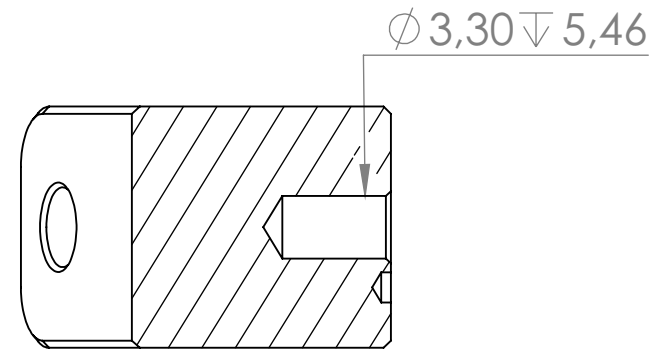


SECTION A-A




SECTION B-B

$\phi 4,20 \nabla 9,86$



SECTION C-C

All the measurements are in millimeters unless otherwise stated

	Manufacturer Number	QO-MS-OMAA24
	Description	Optical Table Tilt Adapter
	Version	1.0