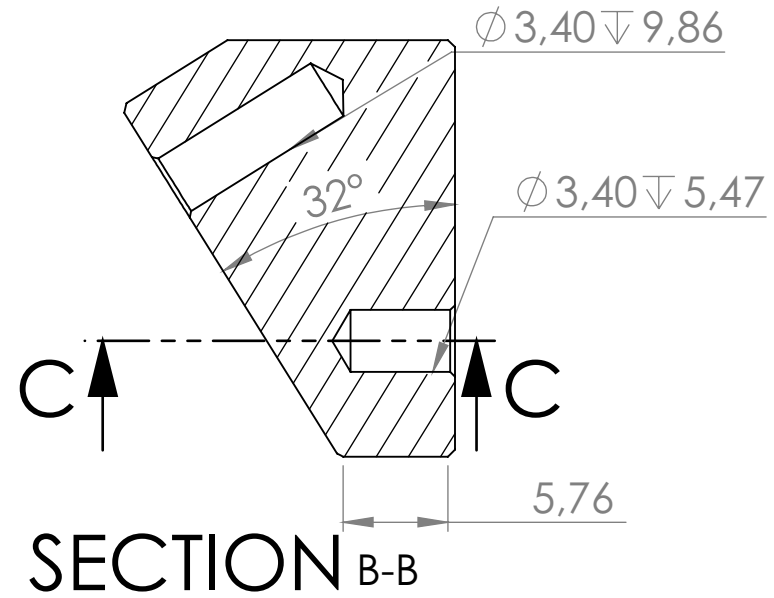
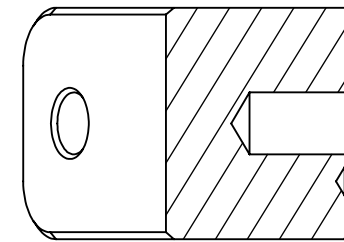



SECTION A-A



SECTION C-C



All the measurements are in millimeters unless otherwise stated

	Manufacturer Number	QO-MS-OMAA32
	Description	Optical Table Tilt Adapter
	Version	1.0