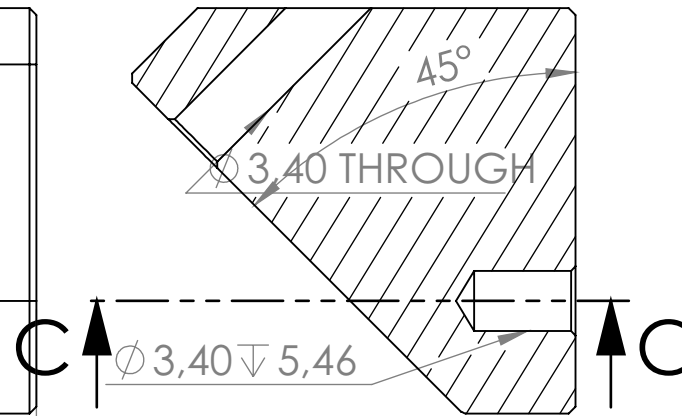
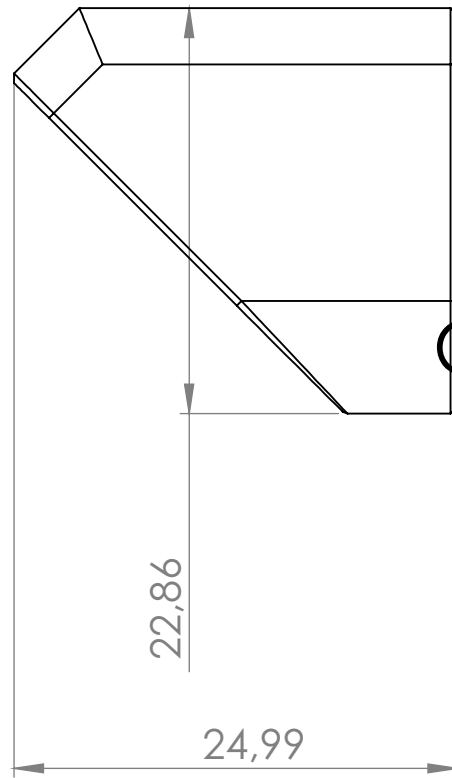
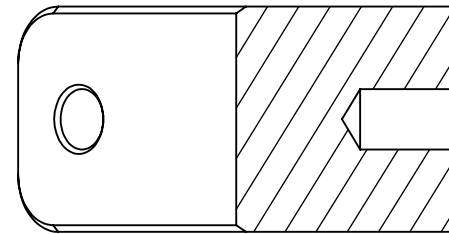


SECTION B-B




SECTION A-A



SECTION C-C

All the measurements are in millimeters unless otherwise stated

	Manufacturer Number	QO-MS-OMAA45
	Description	Optical Table Tilt Adapter
	Version	1.0