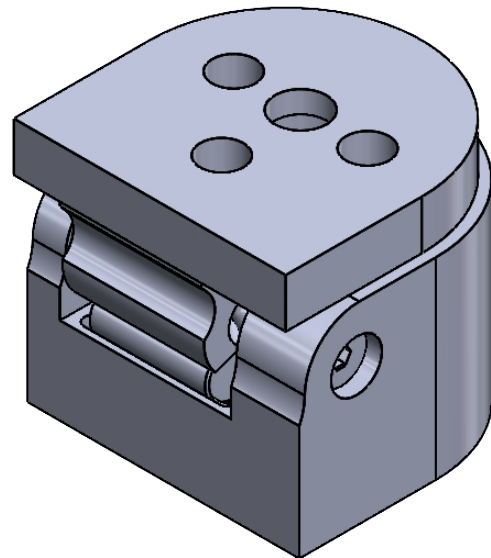



SECTION D-D



All the measurements are in millimeters unless otherwise stated

	Manufacturer Number	QO-MS-OM90AKA
	Description	Optical Table 90 Degree Angular Head Adapter
	Version	1.0