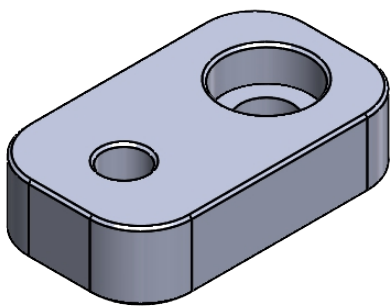



SECTION A-A



All the measurements are in millimeters unless otherwise stated

	Manufacturer Number	QO-MS-OMDKA05
	Description	Optical Table Flat Head Adapter
	Version	1.0