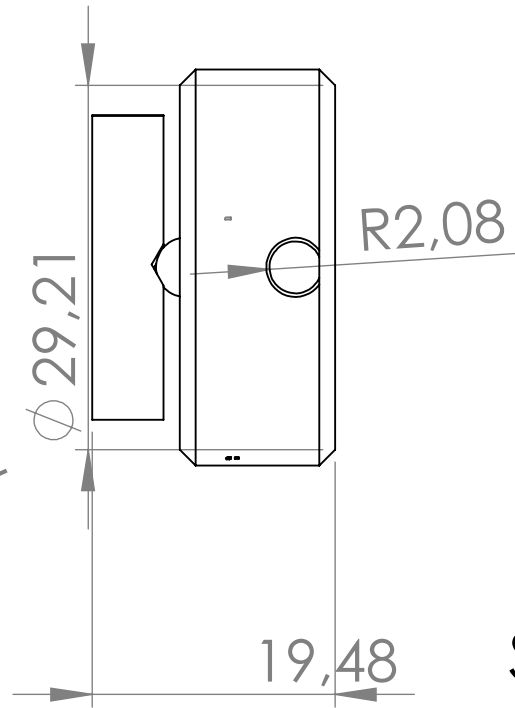



SECTION A-A



SECTION B-B

All the measurements are in millimeters unless otherwise stated

	Manufacturer Number	<a href="#">QO-MS-OMKB2</a>
	Description	Optical Table Base Collar
	Version	1.0