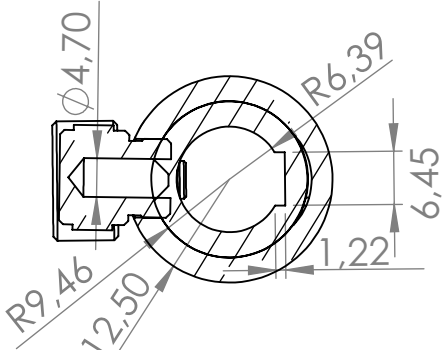
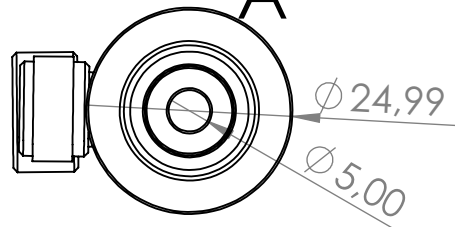
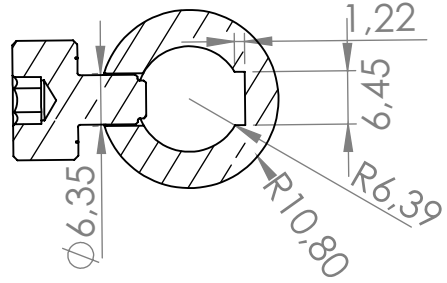


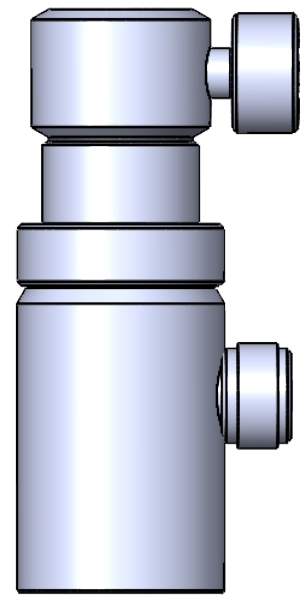
SECTION A-A




SECTION B-B



SECTION C-C



All the measurements are in millimeters unless otherwise stated

	Manufacturer Number	QO-MS-OMKT-OMDHKT-60.5
	Description	Optical Table Vertical Movable Post Holder
	Version	1.0