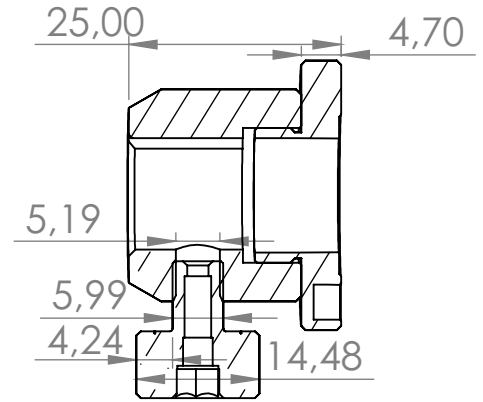
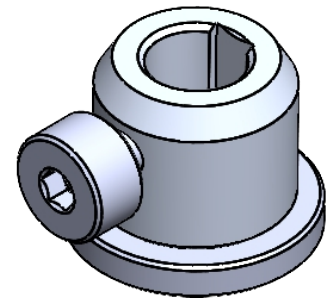



SECTION A-A



SECTION B-B



All the measurements are in millimeters unless otherwise stated

	Manufacturer Number	QO-MS-OMK-OMKT-12.7X25
	Description	Optical Table Post Holder
	Version	1.0