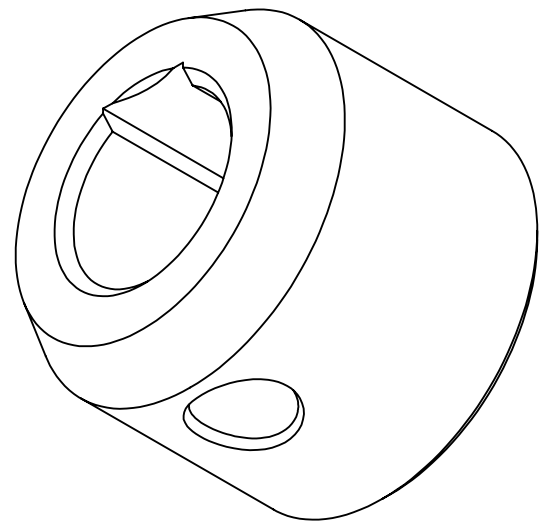



SECTION B-B



All the measurements are in millimeters unless otherwise stated

	Manufacturer Number	QO-OM-OMKT-VU-12.7X20
	Description	Optical Table Post Holder Vacuum Compatible
	Version	1.0