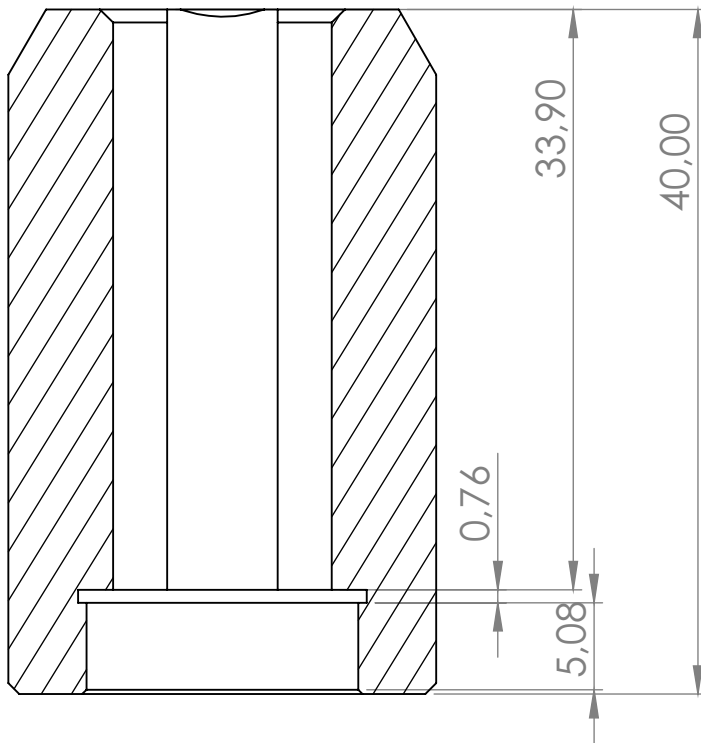



SECTION A-A



SECTION B-B

All the measurements are in millimeters unless otherwise stated

	Manufacturer Number	<a href="#">QO-OM-OMKT-VU-12.7X40</a>
	Description	Optical Table Post Holder Vacuum Compatible
	Version	1.0