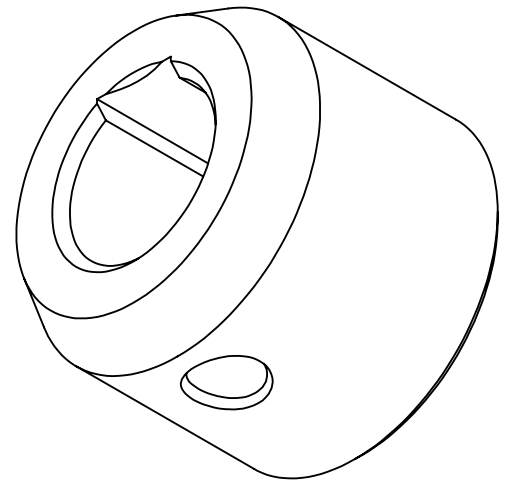



SECTION B-B



All the measurements are in millimeters unless otherwise stated

	Manufacturer Number	QO-MS-OMKT-OMSKT-12.7X20
	Description	Optical Table Standard Post Holder
	Version	1.0