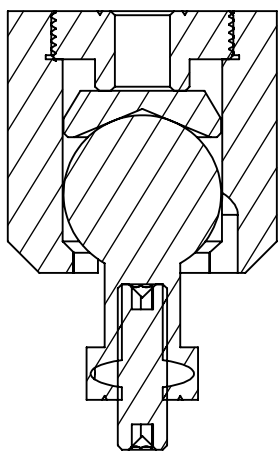
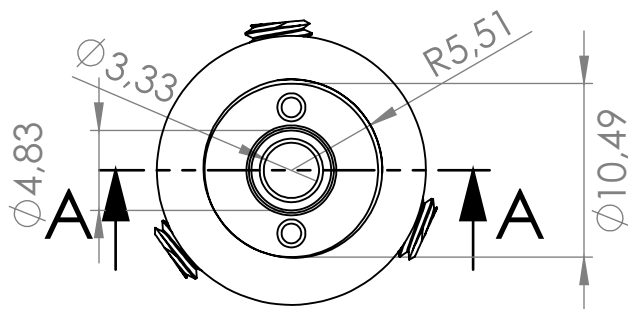
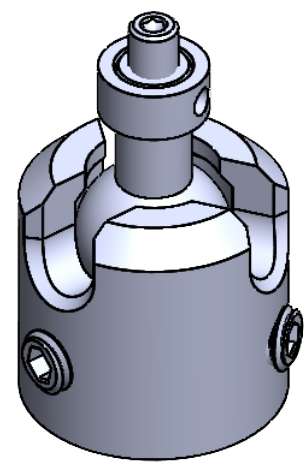



SECTION B-B



SECTION A-A



All the measurements are in millimeters unless otherwise stated

	Manufacturer Number	<a href="#">QO-MS-OMKTAM3</a>
	Description	Optic Table Top Mounting Adapter
	Version	1.0