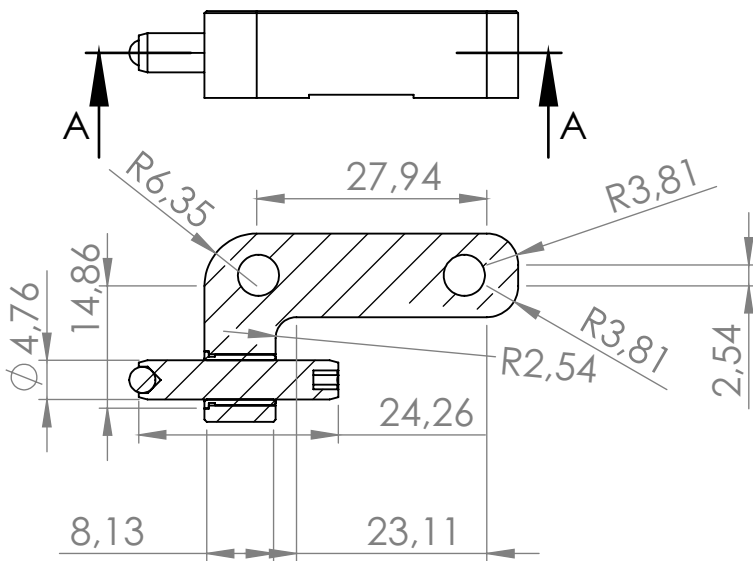



SECTION B-B



SECTION A-A

All the measurements are in millimeters unless otherwise stated

	Manufacturer Number	<a href="#">QO-MS-OMKT5</a>
	Description	Optical Table Kinematic Holder
	Version	1.0