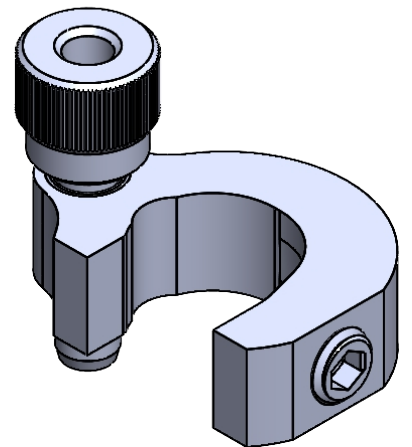
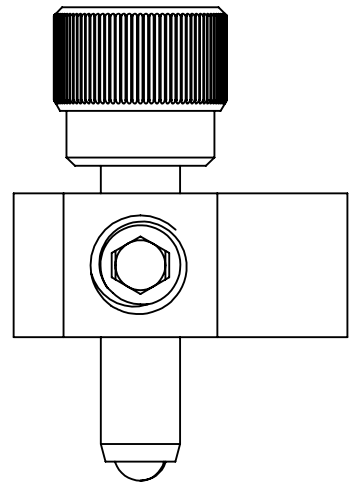



SECTION A-A



All the measurements are in millimeters unless otherwise stated

	Manufacturer Number	QO-MS-OMKT7
	Description	Optical Table Kinematic Holder
	Version	1.0