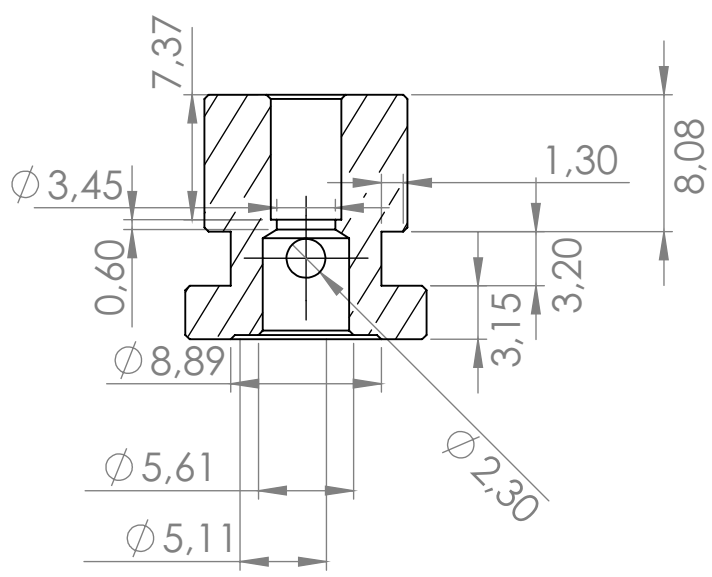



SECTION A-A



SECTION B-B

All the measurements are in millimeters unless otherwise stated

	Manufacturer Number	<a href="#">QO-MS-OMKD</a>
	Description	Pillar Post for Optical Table
	Version	1.0